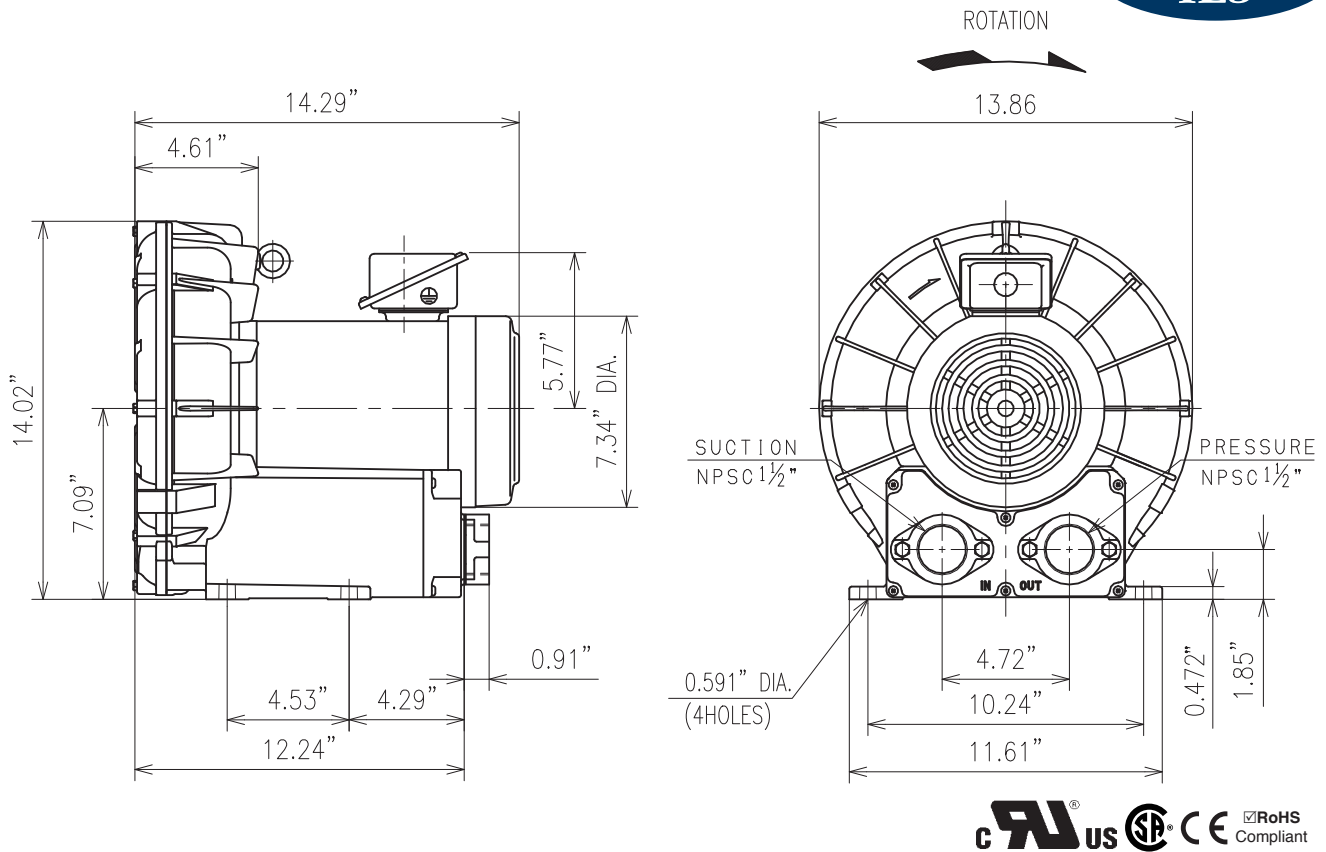


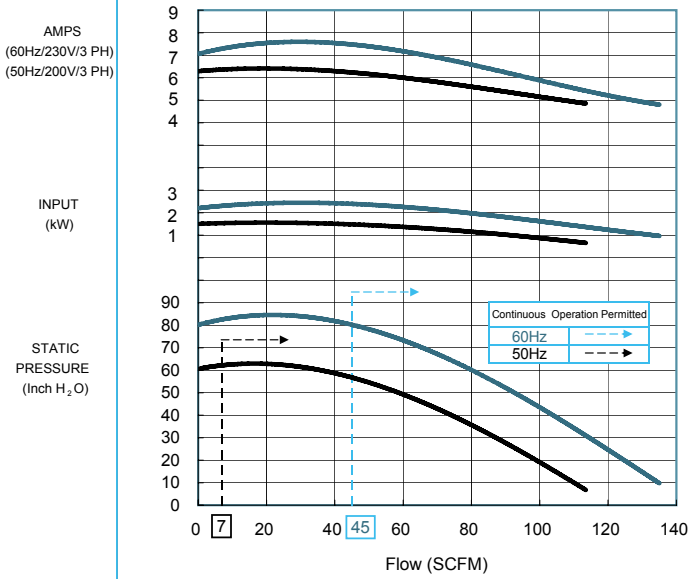
NEMA Premium  
**IE3**



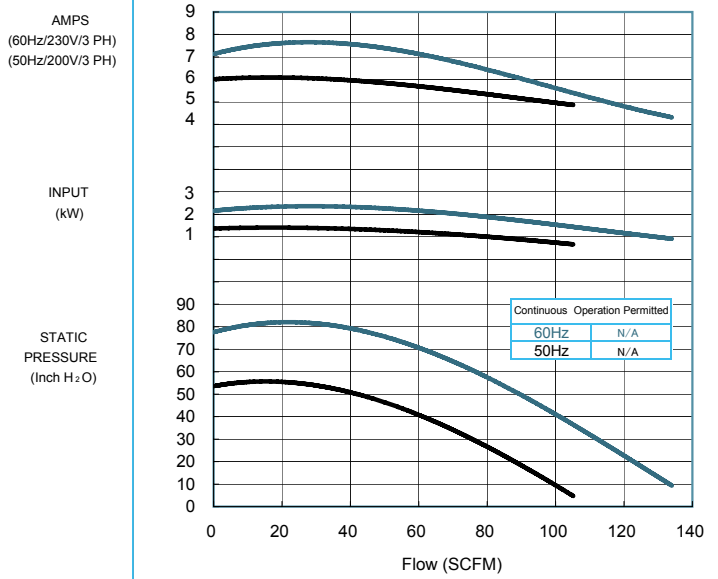
**Specifications**

Model	VFZ501A-7W	
HP	2.7HP	2.0HP
Hz	60	50
Phase	3	3
Voltage	208-230/460	200/400
Max. Amps	7.8-7.4/3.7	6.5/3.8
Locked Rotor Amps	69-76/38	71/35.5
Max. Pressure (in. H2O)	80	61
Max. Vacuum (in. H2O)	78	54
Max. Airflow Pressure (SCFM)	135	113
Max. Airflow Vacuum (SCFM)	134	105
Min. Airflow Pressure (SCFM)	45	7
Min. Airflow Vacuum (SCFM)	0	0
Max. Air Temperature Rise (°F)	118	118
Weight (lbs.)	77	77

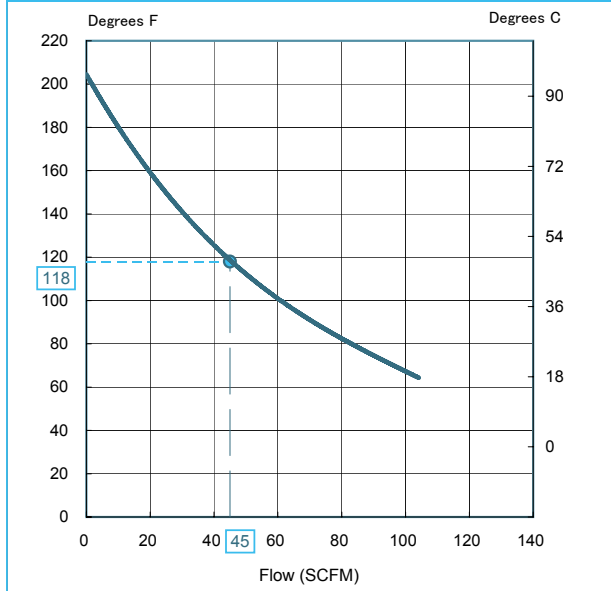
**Pressure**



**Vacuum**



**Temperature Rise**

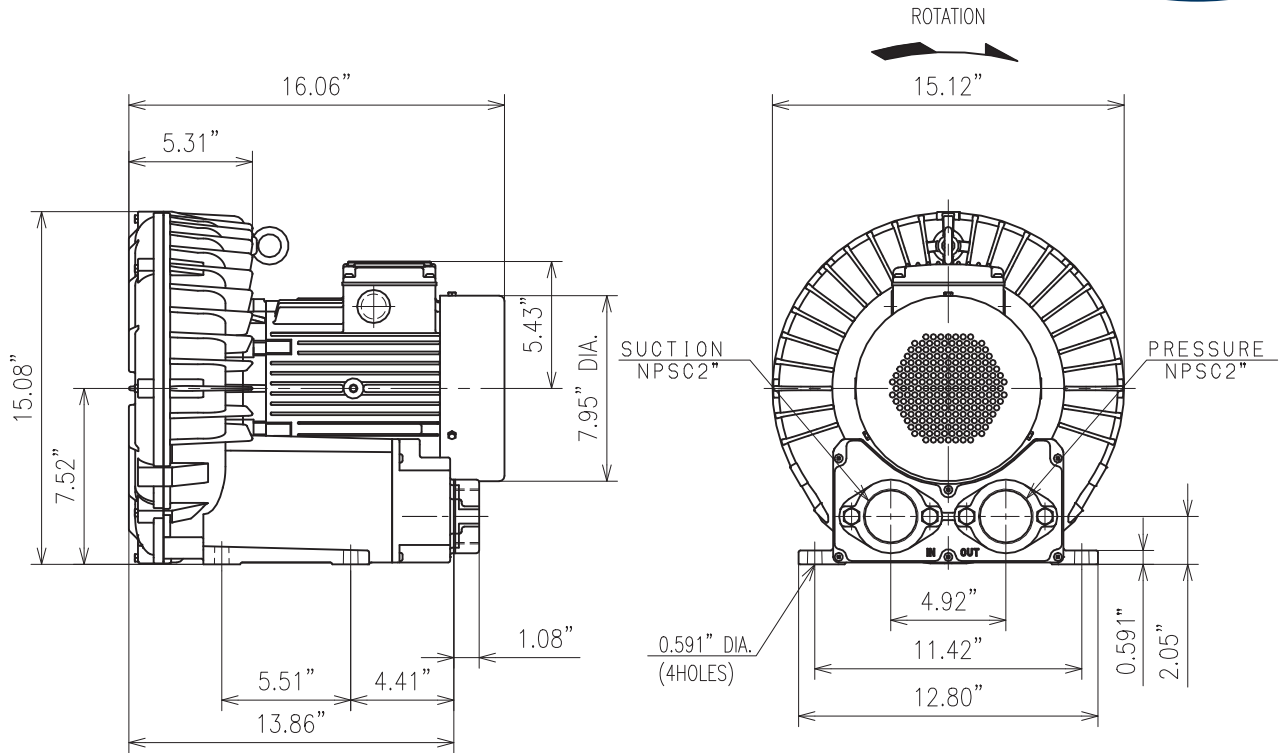


Max Air Temperature is Value Marked •  
Plus 40 Degrees C Ambient Temperature

**Accessories**

Inlet Filter	F-45
Inlet Filter/ Silencer	FS-45
In-Line Vacuum Filter	IVF-45
Pressure Relief Valve	PV5
Vacuum Relief Valve	Not Required
Silencer 1-1/2"	VFY024A

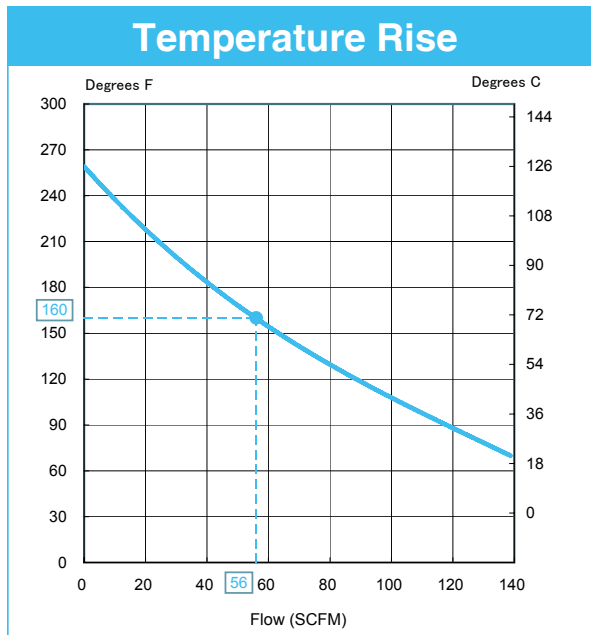
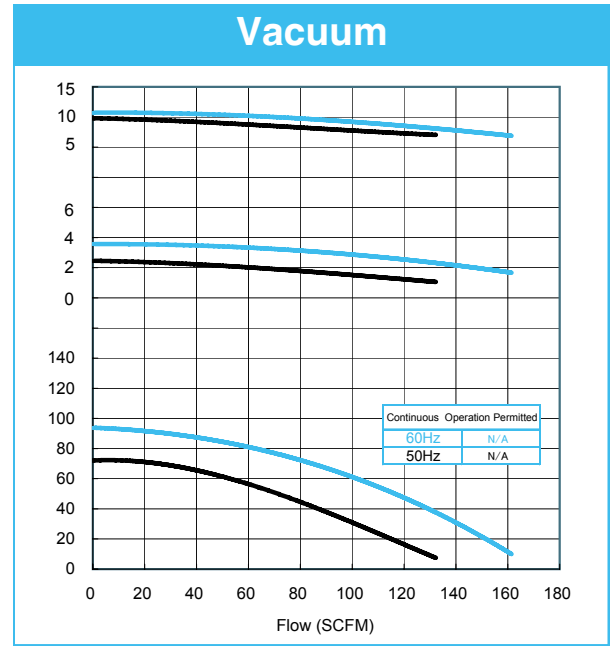
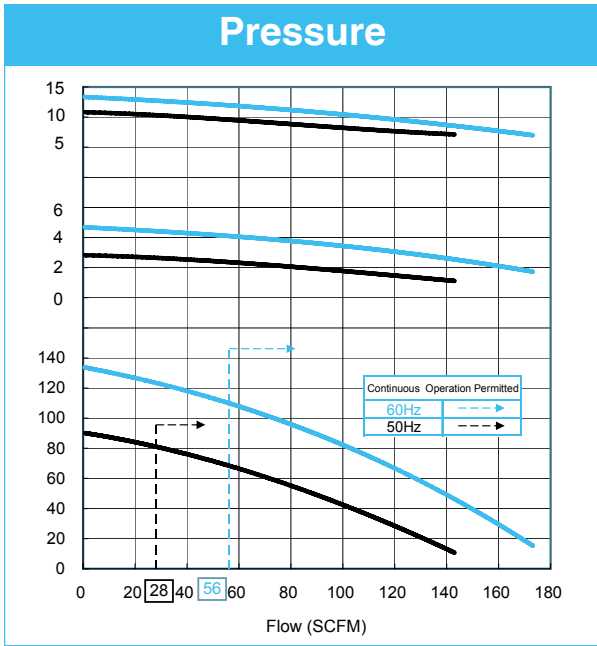
NEMA Premium  
**IE3**



**Specifications**



Model	VFZ601A-7W	
HP	5.0HP	5.0HP
Hz	60	50
Phase	3	3
Voltage	208-230/460	200/400
Max. Amps	13.2-12.1/6.1	10.6/5.3
Locked Rotor Amps	119-132/66	120/60
Max. Pressure (in. H2O)	134	90
Max. Vacuum (in. H2O)	95	72
Max. Airflow Pressure (SCFM)	173	143
Max. Airflow Vacuum (SCFM)	161	132
Min. Airflow Pressure (SCFM)	56	28
Min. Airflow Vacuum (SCFM)	0	0
Max. Air Temperature Rise (°F)	160	149
Weight (lbs.)	108	108

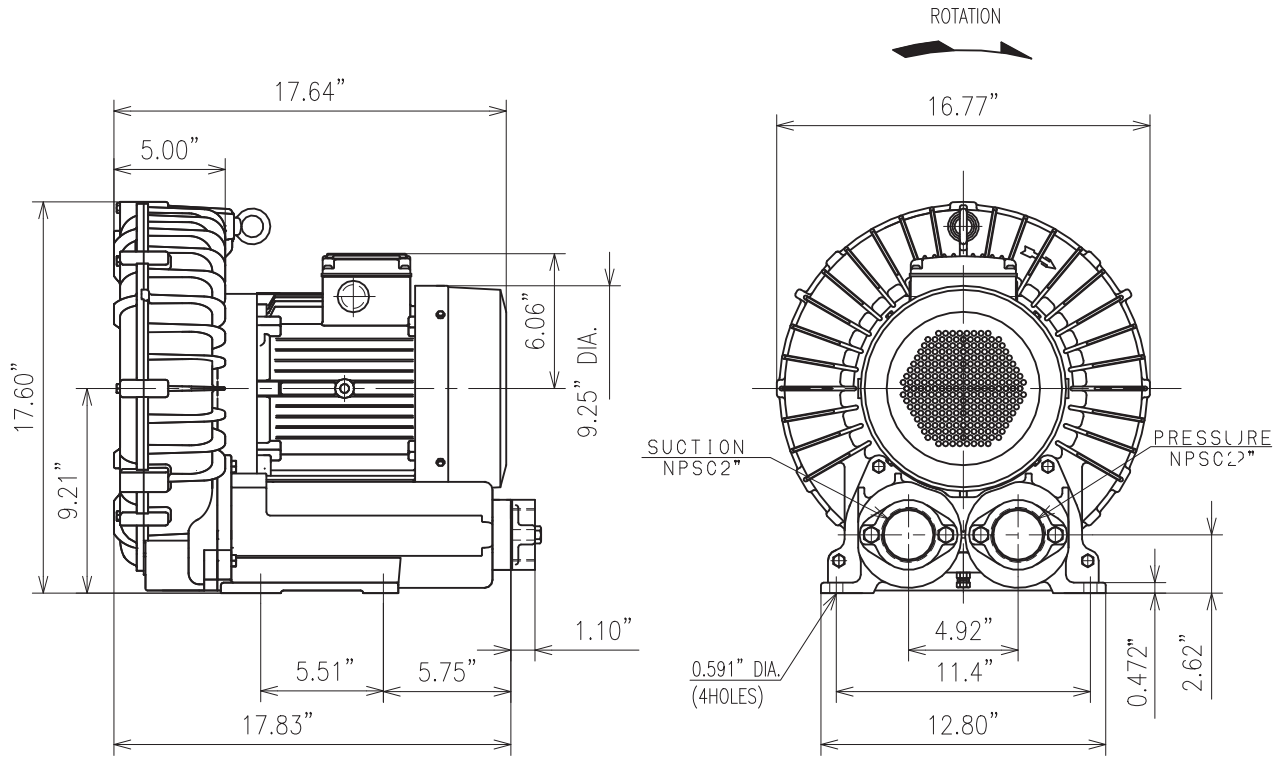


Max. Air Temperature is Value Marked •  
Plus 40 Degrees C Ambient Temperature

### Accessories

Inlet Filter	F-67
Inlet Filter/ Silencer	FS-67
In-Line Vacuum Filter	IVF-67
Pressure Relief Valve	PV6
Vacuum Relief Valve	Not Required
Silencer 2"	VFY026A

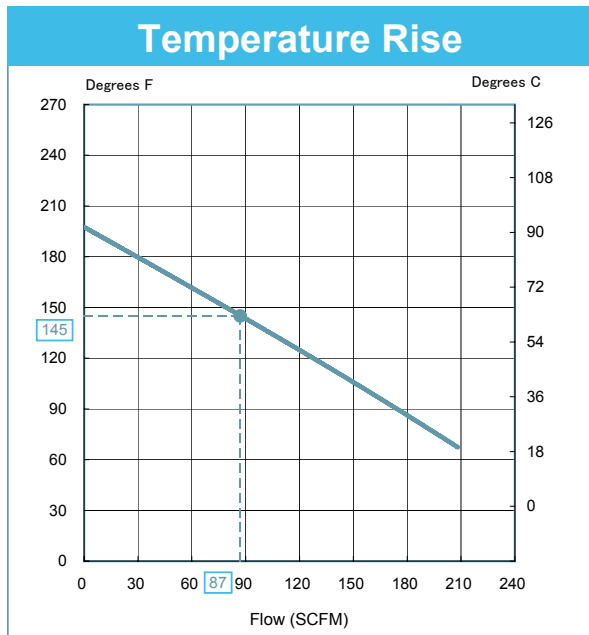
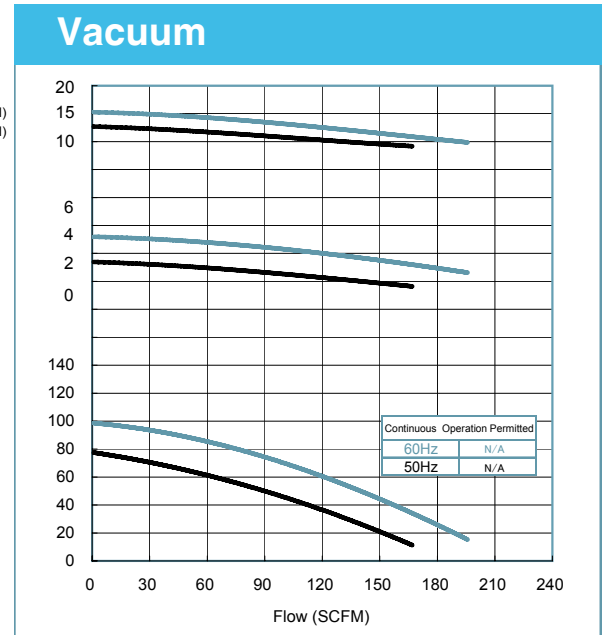
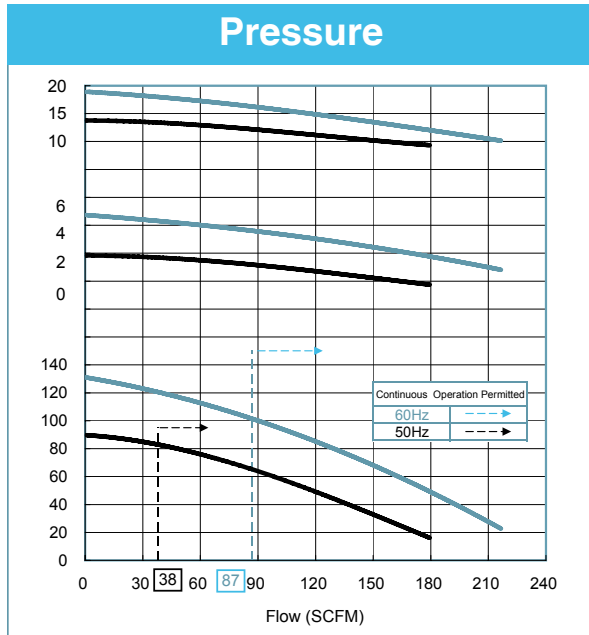
NEMA Premium  
**IE3**



**UL** **us** **SP** **CE**  RoHS Compliant

**Specifications**

Model	VFZ701A-7W	
HP	6.7	6.7
Hz	60	50
Phase	3	3
Voltage	208-230/460	200/400
Max. Amps	17.6-16.2/8.1	13.4/6.7
Locked Rotor Amps	189-210/105	195/97.5
Max. Pressure (in. H2O)	105	84
Max. Vacuum (in. H2O)	99	78
Max. Airflow Pressure (SCFM)	217	179
Max. Airflow Vacuum (SCFM)	196	167
Min. Airflow Pressure (SCFM)	87	38
Min. Airflow Vacuum (SCFM)	0	0
Max. Air Temperature Rise (°F)	145	140
Weight (lbs.)	134	134



Max. Air Temperature is Value Marked • plus 40 Degrees C Ambient Temperature

## Accessories

Inlet Filter	F-67
Inlet Filter/ Silencer	FS-67
In-Line Vacuum Filter	IVF-67
Pressure Relief Valve	PV7
Vacuum Relief Valve	Not Required
Silencer 2"	VFY026A